

Laser Stanchion System

GAMMEX RACK 3000 ENTIRE GANTRY/STAN 3000 SINGLE TOWER (RED DIODE LASER)

GAMMEX RACK 3100 ENTIRE GANTRY/STAN 3100 SINGLE TOWER (GREEN DIODE LASER)

The versatile Gammex Laser Stanchion System minimizes room modifications and down-time. The stanchion simplifies the installation of patient positioning lasers for radiation oncology and CT simulation.

The stanchion system functions as an independent laser mounting system. The system can be installed without expensive room renovation and its height and length can be customized to meet specific needs. Since only one IEC power connection is required to operate multiple laser units, electrical modifications to an existing room are kept to minimum. Individual towers are also available.

Laser Stanchion System Features:

- Made from attractive, lightweight extruded aluminum for added strength and durability.
- Fits in with any décor.
- Several standard heights and widths are available; custom sizes can be provided.
- Stanchions are available as gantries and towers and support red or green diode lasers.
- Single entry point cable management.

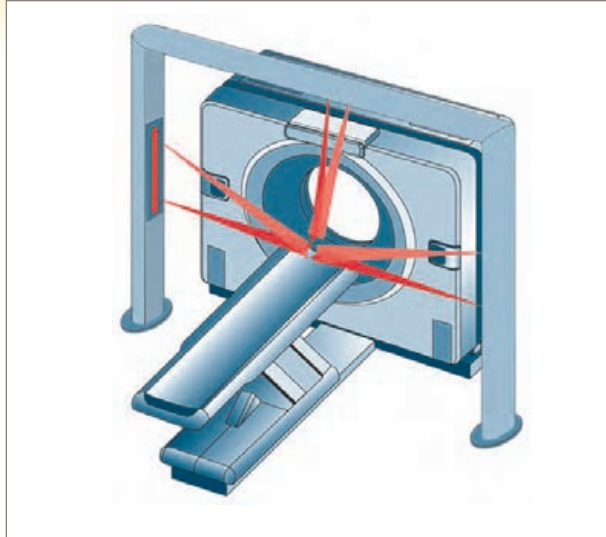
Gammex continued



RACK 3000/STAN 3000, RACK 3100/STAN 3100

LASER ALIGNMENT

continued from front...



This illustration demonstrates the Gammex CT Sim Laser Tracking System installed using the Laser Stanchion Entire Gantry System in an integrated CT therapy simulation setting.

SPECIFICATIONS

Material Extruded Aluminum

Standard Sizes

Towers. 6.5 ft (H)

Gantry. 7.5x12 ft (HxW)

Gantry. 8.5x14 ft (HxW)

Custom sizes available - please contact your Gammex sales representative