

Interlocking Lead Brick

Interlocking chevron lead bricks make it easy to erect, modify and relocate protective walls and cells of any size. Their V-shaped edges eliminate the danger of leakage common to all straight edged bricks and create sturdier walls with less chance of toppling.

The system accepts lead glass windows, remote handling tools and other accessories which can be removed and used for other projects. All bricks are guaranteed to be homogeneous and free of air voids.

Standard Constructions

The construction of an interlocking enclosure requires careful calculation for selection of the proper combination of bricks. To simplify ordering, there are 3 enclosures on the following page, using 3 walls, which show the quantity and descriptions of the brick required.

Features

- Homogeneous and void free
- V-shaped (chevron) allowing no open joints
- Unlimited configurations
- Optional lead glass viewing window
- Shielded remote manipulators

Lead Glass Brick

Modular Radiation Shielding Using Lead Glass Bricks

These Lead Glass Bricks are made from unique Hi-D® lead glass. Mounted in steel frames, they can be used to customize a permanent or temporary installation providing a high shielding capability without compromising optical clarity. Each inch of glass thickness provides the equivalent of approximately 10 mm of lead.



- Lead Glass Brick 4" x 8" x 2" (10 x 20 x 5 cm) 7440-0001
- Lead Glass Brick 4" x 8" x 4" (10 x 20 x 10 cm) 7440-0002
- Lead Glass Brick 8" x 8" x 2" (20 x 20 x 5 cm) 7440-0003
- Lead Glass Brick 8" x 8" x 4" (20 x 20 x 10 cm) 7440-0004

Lead Brick Painted Options

Capintec will paint any lead brick type to protect users with durable epoxy paint.

Lead Brick painting Option 2500-4179

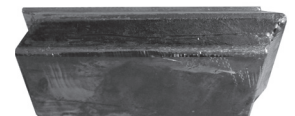
Description	Size of enclosure			
		Config. A	Config. B	
Config. C				
Inside length	26"	22"	18"	
Inside depth	22"	18"	14"	
Height	14"	14"	14"	
Qty	Qty	Qty		
ITEM #	Type of Brick	Config. A	Config. B	Config. C
7410-0023	Standard	44	36	28
7410-0024	Base	22	18	14
7410-0025	Top	22	18	14
7410-0026	Corner	8	8	8
7410-0027	Corner Base	4	4	4
7410-0028	Corner Top	4	4	4
Shipping				
Weight, lbs (Total)		1204	1019	834

- Standard 2" x 4" x 4" 13.2 lb. 7410-0023
- Base 2" x 4" x 4" 14.9 lb. 7410-0024
- Top 2" x 4" x 2" 6.23 lb. 7410-0025
- Corner 2" x 4" x 4" 19.68 lb. 7410-0026
- Corner Base 2" x 4" x 4" 20.64 lb. 7410-0027
- Corner Top 2" x 4" x 2" 5.77 lb. 7410-0028
- Wall Sphere Unit 2" x 4" x 8" 26.2 lb. 7410-0029
- Lead Glass Window 4" x 4" x 8" 49 lb. 1000-0212

Chevron Lead Brick

For The Best Protection — Chevron Brick

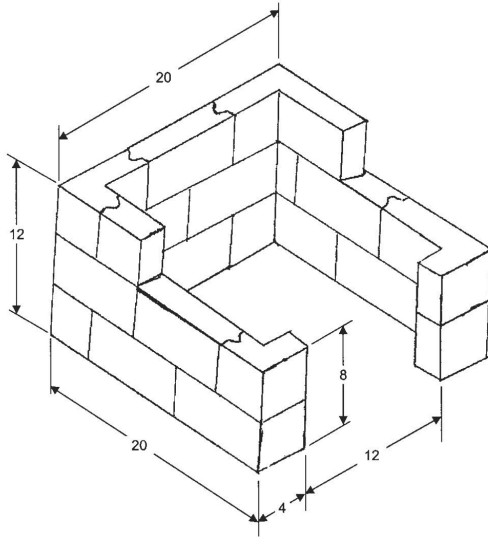
The flat surface of rectangular lead brick gives good protection. But for maximum protection, we offer interlocking chevron bricks. Their V-shaped edges allow safe and easy stacking to form a walled enclosure, thus minimizing the chance of collapsing. Capintec offers several sizes and thicknesses as well as end and corner brick to meet your particular requirements.



- Chevron Lead Brick 2" x 4" x 8" 7410-0002
- Right Corner Chevron Lead Brick 7410-0003
- Left Corner Chevron Lead Brick 7410-0004
- Chevron Lead Brick 2 3/8", 60 mm Thick 7410-0008

3 Walled Brick Enclosures

Item # 5530-2074

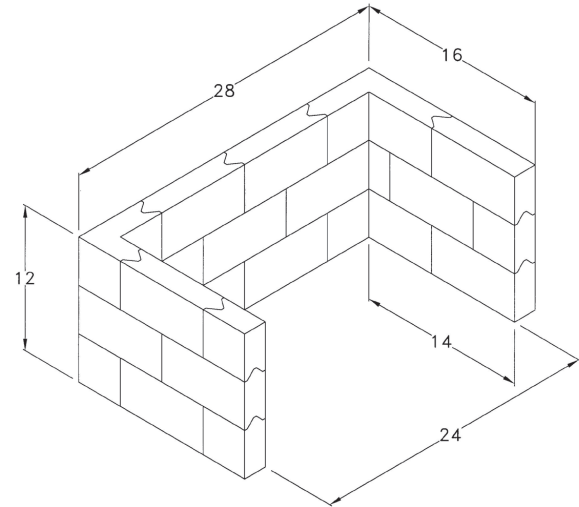


New configuration will completely enclose your 511 L block for added radiation protection.

Specifications

- Lead Brick Enclosure 2 " lead
- 12" H x 20" W x 20" D (outer)
- Weight 475 lbs.

Item # 5530-1030

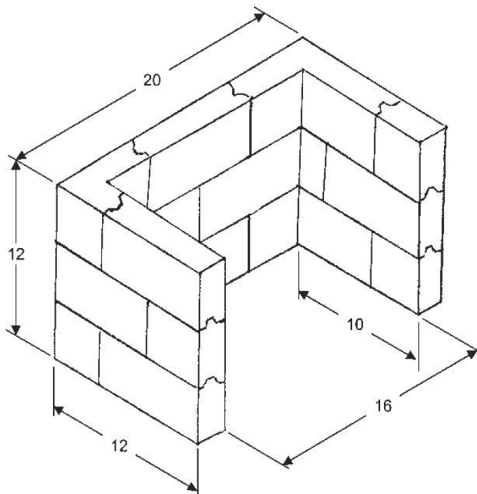


Larger 3 sided cave provides flexible placement of L block, easy side access, and more room for source storage

Specifications

- Lead Brick Enclosure 2 " lead
- 12" H x 28" W x 16" D (outer)
- Weight 550 lbs

Item # 5530-2010

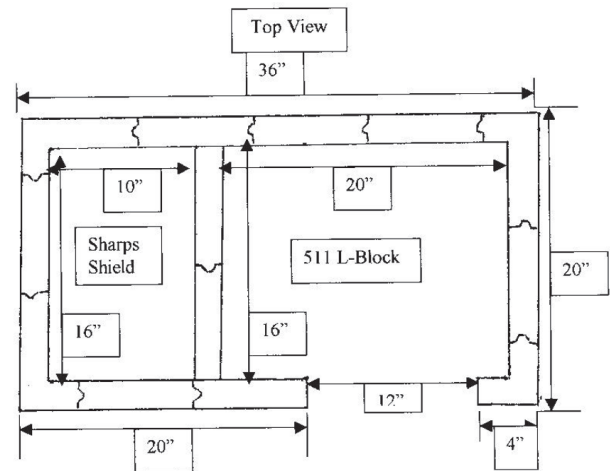


Designed to provide radiation shielded for fit 511 shielded sharps containers

Specifications

- Lead Brick Enclosure 2 " lead
- 12" H x 20" W x 12" D (outer)
- Weight 400 lbs

Item # 5530-2079



2 connected caves designed to snugly L block and completely enclose sharps container

Specifications

- Lead Brick Enclosure 2 " lead
- 16" H x 36" W x 20" D
- Weight 1050 lbs