

511 Spring Armed Dose Drawing Station

Capintec knows how important radiation safety is to your department, 511 keV nuclides make achieving this goal even more challenging.

The Capintec Dose Drawing Station was designed to help you meet the ALARA requirements of your department. With its proprietary spring arm design and exceptional shielding, the Dose Drawing Station is a fast and safety conscious way of handling your PET nuclides.

The Four Key Features

The Spring Arm (1):

The Dose Drawing Station's proprietary spring arm design allows for quick and near effortless positioning of the 35lb. (16 kg) vial shield. With minimal exertion and minimal time the vial shield can be raised, lowered and/or inverted.

The 511 Vial Shield (2):

There are two components to the vial shield. First is the inner T-vial shield, which is made of tungsten and provides a 1" (25.4 mm) lead equivalence. Second is the outer shield, which has 1" (25.4 mm) thick walls of epoxy-coated lead.

The Dose Drawing Syringe Shields (3):

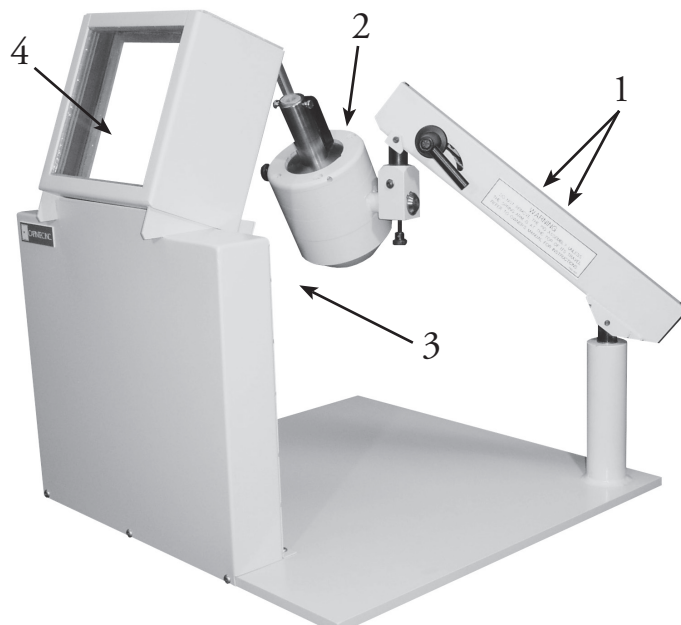
Included with the Dose Drawing Station is a Dose Drawing Syringe Shield in 5, 10 or 20 cc sizes. The syringe shield has a tungsten flange that provides maximum protection and locks onto the 511 vial shield with a twist of the wrist.

The 511 "L" Block Body Shield (4):

Inside of the steel covering of the body shield lie interlocking 2 3/8" (6 cm) lead bricks. Mounted at a 20o angle on top of the steel cover is an 8" x 8" x 4" (51 x 51 x 25 cm) High Density lead glass view port.

Features

- Designed for maximum radiation protection and greater flexibility when drawing doses.
- Spring arm is constructed to provide ease of positioning and effortless lifting of the 35 lb. Tungsten vial.
- Easily removable inner tungsten vial shield with 1" lead equivalence shielding.
- Outer shield is 1" thick epoxy coated lead. In conjunction with the inner tungsten shield the user gets a combined 2" of lead shielding.



- Flanged tungsten shield is manufactured to twist and lock into the tungsten vial shield. One flanged tungsten shield is included in the purchase of the dose drawing station. (When purchasing specify which shield size you would require, 5cc., 10cc or 20cc).
- Lead glass is protected by 1/4" plate glass laminated to the front and back viewing surface to protect lead glass from scratching and chipping.

Specifications

- 23 7/8" H x 22 1/2" W x 22" D
- 8" H x 8" W x 4" D (51 x 51 x 25 cm) 5.2 g/cc density lead glass window at a fixed angle to ease viewing.
- 2 3/8" (6 cm) Gapless lead shielding.
- Weight: 250 lbs.

Drawing Station with body shield	5510-3003
Drawing Station without body shield	5510-3004

Optional Items

5 cc Dose Drawing Syringe Shield.....	0665-2017
10 cc Dose Drawing Syringe Shield.....	0665-2011
20 cc Dose Drawing Syringe Shield.....	0665-2018
Unpainted Dose Drawing Station Brick Kit- 12" H x 32" W x 24" D x 2" Thick (31 x 82 x 61 x 5 cm).....	5530-1028
Painted Dose Drawing Station Brick Kit- 12" H x 32" W x 24" D x 2" Thick (31 x 82 x 61 x 5 cm).....	5530-1031
Unpainted Dose Drawing Station Brick Kit- 12" H x 32" W x 24" D x 2 3/8" Thick (31 x 82 x 61 x 6 cm)	5530-1033
Painted Dose Drawing Station Brick Kit- 12" H x 32" W x 24" D x 2 3/8" Thick (31 x 82 x 61 x 6 cm)	5530-1034

511 "L" Block Table Top Shield

Maximum protection for safe handling of 511 KeV nuclides.

The newly designed 511 "L" Block Shield is placed in front of the Drawing Station and used to provide a protected work area for safe handling of 511 keV nuclides. The front wall and the base of the unit are constructed of steel with built-in lead shielding. A 4" thick lead glass window offers maximum protection and an unrestricted viewing area. In addition, the lead glass is protected from scratches and chips by a sheet of window glass.



Features

- The fixed angle design of the lead glass allows easier viewing.
- Contains two sheets of 1/4" window glass to protect lead glass from scratching and chips (Industry exclusive).
- Lead shielding thickness- 1.0" (2.54 cm)

Specifications

- 20 1/4" H x 14" W x 14" D (51 x 35.5 x 35.5 cm)
- 8" H x 8" W x 4" D (51 x 51 x 25 cm) 5.2 g/cc density lead glass.
- Weight: 195 lb. (89 kg)

PET L-Block Shield w/4" glass..... 0665-2014

Optional Brick Kits for 511 "L" Block.

Unpainted Chevron Brick Kit 12" H x 28" W x 16" D x 2" thick
(41 x 71 x 30 x 5 cm) 5530-1029

Painted Chevron Brick Kit 12" H x 28" W x 16" D x 2" thick
(41 x 71 x 30 x 5 cm) 5530-1030

Unpainted Chevron Brick Kit 12" H x 28" W x 16" D x 2 3/8" thick
(41 x 71 x 30 x 6 cm) 5530-1035

Painted Chevron Brick Kit 12" H x 28" W x 16" D x 2 3/8" thick
(41 x 71 x 30 x 6 cm) 5530-1036

PIG-30 & PIG-50

Lead Pigs for PET store vials of radiotracers for daily use, ensuring staff safety and reducing background levels. Built with 2.38" (60 mm) lead shielding. Model PIG-30 holds vials up to 30 ml; Model PIG-50 holds vials up to 50 ml.



Specifications

- PIG-30: 8" H x 6.4" Dia. (20 x 16 cm); 109 lb. (49.4 kg)
- PIG-50: 9.75" H x 6.75" Dia. (25 x 17 cm); 148 lb. (67.1 kg)

PIG-30 Vial Shield 5730-2030

PIG-50 Vial Shield 5730-2027

511 Adjustable "L" Block Table Top Shield

Excellent radiation protection with exceptional flexibility

Capintec is very pleased to introduce our first Adjustable 511 L Block Table Top Shield.

Designed to exceed the basic requirement of outstanding radiation protection it now also boasts the luxury of an adjustable lead glass window for greater work area flexibility. The front wall shields with 2 3/8" thick lead and the window is 4" thick lead glass, with a clear glass cover to protect it from scratching. The front, base and glass frame are each constructed of high gauge steel for superior strength and stability.



Use the Adjustable L Block in conjunction with the Capintec Dose Drawing Station or as a stand-alone unit. Either way, the optional Brick Kits (for side and back wall protection) will provide the perfect finishing touch for your 511 Adjustable L Block.

The 511 "L" Block Shield is shipped in three pieces and easily assembled on site. Side walls are available as an option.

Features

- Adjustable lead glass window from 30-55 degrees.
- Clear glass covering to protect lead glass from chipping and scratching.
- Steel construction for strength and stability.

Specifications

- 2-3/8" (6 cm) Lead Shielding
- 8" x 8" x 4" (51 x 51 x 25 cm) lead glass (5.2 density, 1.6" lead equivalence)
- Adjustable window angle of 30-55 degrees with respect to vertical
- 21" H x 15-3/4" W x 15-1/2" D (40 x 39 cm)
- Weight: 500 lb. (227 kg)

511 Adjustable "L" Block Shield..... 5530-2077